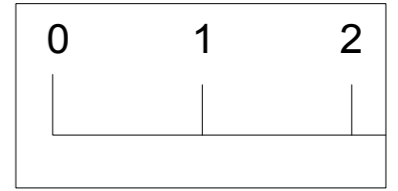


Electrical and services key (existing):

- Cable circuit
- Single/double pole switches
- Smoke alarm
- Foul drainage
- Surface drainage
- heat sensor
- Air Admittance valve
- Mechanical Extract
- IP rated spotlight
- Decorative Pendant light TBC
- Wall light
- Strip light
- recessed Spot light
- Emergency light
- Directional Spotlight (bar or recessed group)
- Twin 13 Amp socket
- Data point
- Tel point
- Ethernet
- Radiator Existing
- PIR light
- Emergency signage (illuminated)
- EXIT
- Air Conditioning unit
- Heat curtain unit
- Existing dist board/meter
- Spur
- Wall mounted electrical water heater and outlet
- LED strip in diffuser case



Dontakings.

- Detectors
- Fire panel
- Cameras

Note these drawings are for construction purposes only, all dimensions and positions shown are approximate

Michael Collins Architect LLP
 12 Purwell Lane
 Hitchin, SG4 0NE
 07866479770
 michaelcollinsarchitect@gmail.com

Internal Reconfiguration
 Client
 8 Market Place, Hitchin, SG5 7DR

















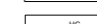








| | | | |
|-----------------------|-------------------------------|----------------------|-----------------------|
| Job No. 048 | Ground floor plan as Proposed | Scale 1:50@ A1 | DWG No. 021 |
| REVISION: | | Licence Plan | |

Ground floor plan as proposed 1:50



--- Kitchen area

Electrical and services key (existing):

-  Cable circuit
-  Single/double pole switches
-  Smoke alarm
-  Foul drainage
-  Surface drainage
-  heat sensor
-  Air Admittance valve
-  Mechanical Extract
-  IP rated spotlight
-  Decorative Pendant light
-  Wall light
-  Strip light
-  recessed Spot light
-  Twin 13 Amp socket
-  Data point
-  Tel point
-  Ethernet
-  Radiator Existing
-  PIR light
-  Emergency signage (illuminated)
-  Air Conditioning unit
-  Heat curtain unit
-  Existing dist board/meter
-  Spur
-  Wall mounted electrical water heater and outlet

Downtakings —

Note these drawings are for construction purposes only, all dimensions and positions shown are approximate

Michael Collins Architect LLP
 12 Purwell Lane
 Hitchin, SG4 0NE
 07866479770
 michaelcollinsarchitect@gmail.com

Internal Reconfiguration
 Client
 8 Market Place, Hitchin, SG5 7DR

| | | | |
|-----------------------|------------------------------|-----------------------|------------------------|
| Job No. 048 | First floor plan as Proposed | Scale 1:50 @:A3 | Draw No. 022 |
| REVISION: C Stage 1 | | | |